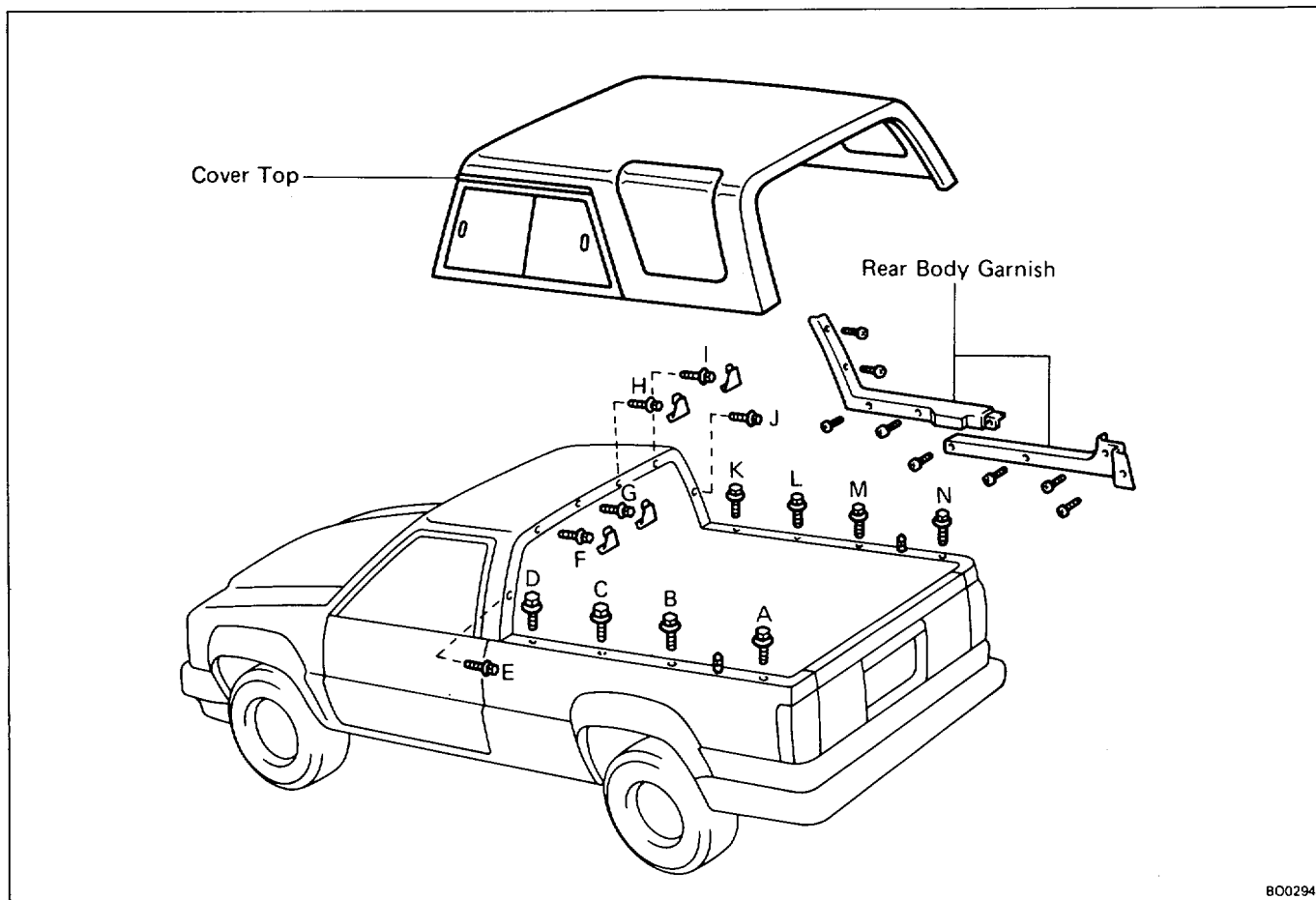
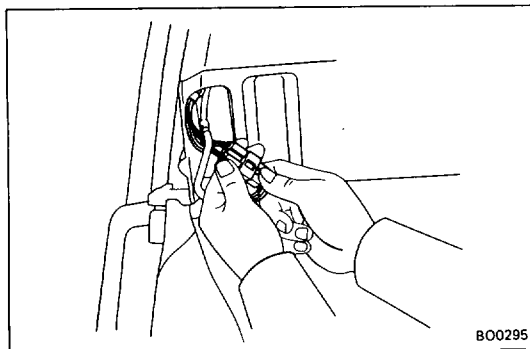


COVER TOP COMPONENTS



BO0294

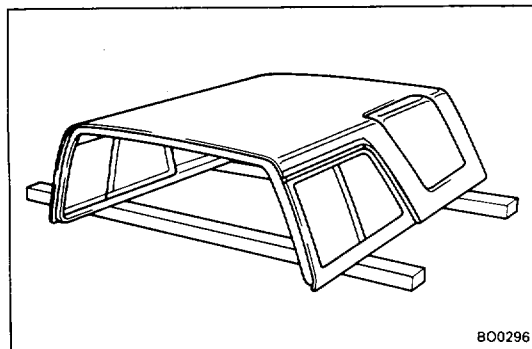


BO0295

REMOVAL OF COVER TOP

1. OPEN BACK WINDOW FULLY
2. REMOVE REAR BODY GARNISHES
3. DISCONNECT CONNECTOR AND WASHER HOSE

The connector and washer hose are located on the LH side of the rear body.



BO0296

4. REMOVE COVER TOP

- (a) Remove bolt "B".

NOTE: The cover top switch is turned off when bolt "B" is removed. In this condition back door power window cannot be operated.

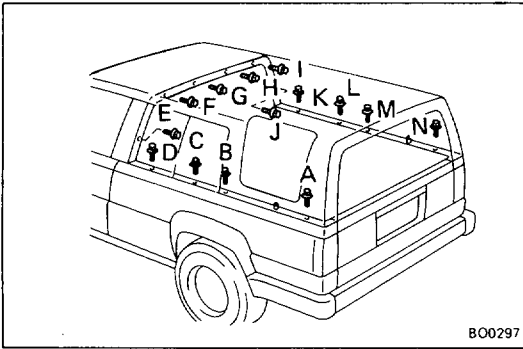
- (b) Remove the other bolts.

- (c) Take the cover top off.

NOTE: After removing the cover top, place it on pieces of lumber and do not let it come into direct contact with the ground. Do not place anything on top of the cover.

CAUTION:

1. While the cover top is removed, never reinstall bolt "B" for the purpose of operating the back door power window.
2. If bolt "B" is installed to the deck directly, the cover top switch may get damaged due to over protrusion of the bolt.



800297

INSTALLATION OF COVER TOP

1. **INSTALL COVER TOP TO FIT PROPER POSITION IN FOLLOWING PROCEDURE**

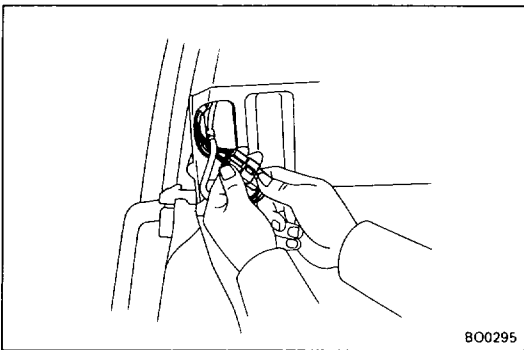
CAUTION: Use only genuine Toyota cover top bolts.

Part No. 90119-08171 or equivalent

- (a) Place the cover top on the deck.
- (b) Tighten bolts "E" and "J".
- (c) Tighten bolts "C" and "L".
- (d) Loosen bolts "E" and "J".
- (e) Tighten bolts "D" and "K".
- (f) Retighten bolts "E" and "J".
- (g) Tighten the other bolts except for bolt "B".
- (h) Tighten the bolt "B".

NOTE: In this condition as the end of bolt "B" makes contact with the cover top switch, the switch should be on.

Torque: 145 kg-cm (10 ft-lb, 14 N·m)



800295

2. **CONNECT CONNECTOR AND WASHER HOSE**

The connector and washer hose are located on the rear body LH side.

3. **INSTALL REAR BODY GARNISHES**

4. **CLOSE BACK DOOR AND CHECK OPERATION OF BACK DOOR POWER WINDOW**