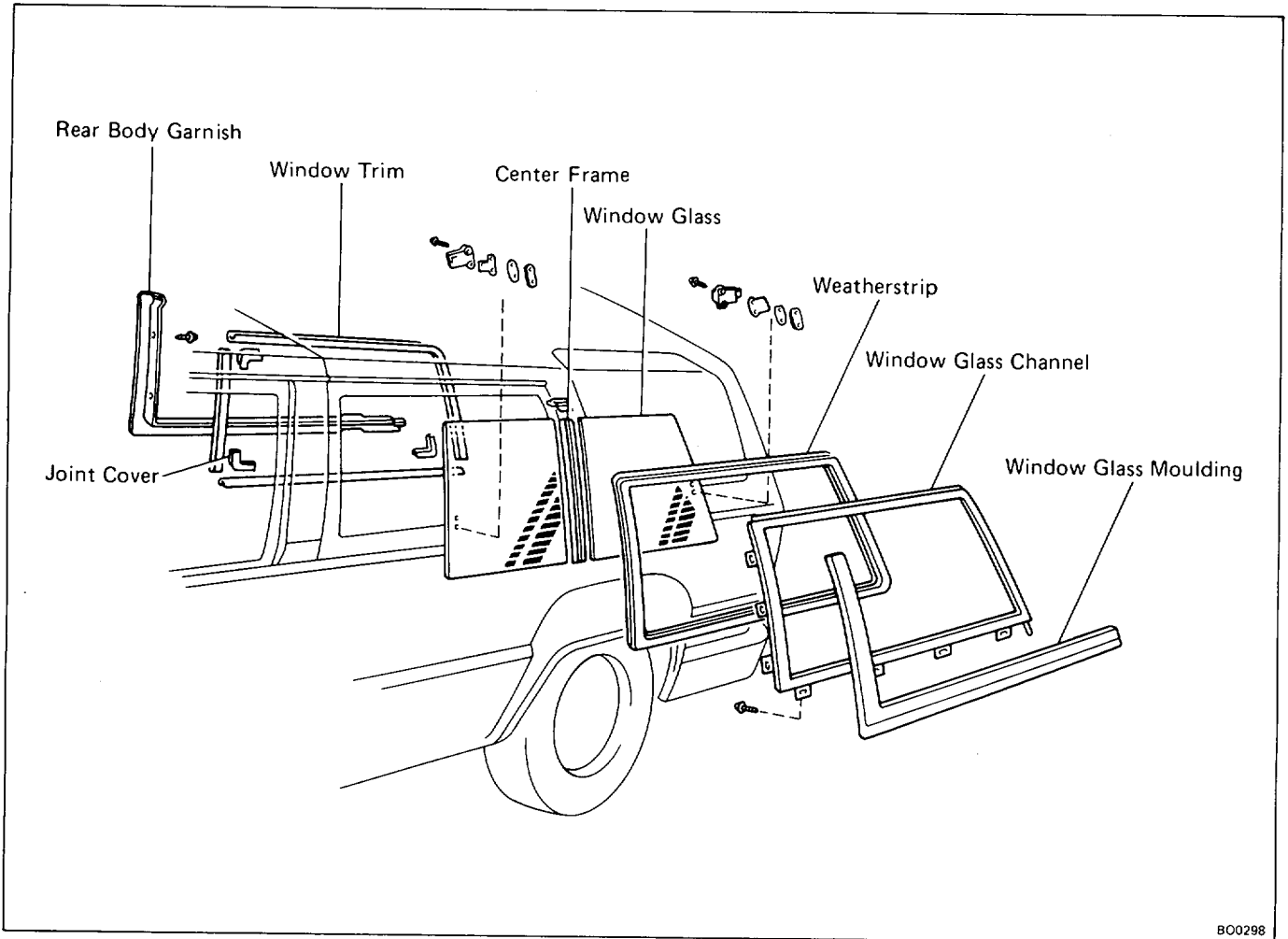
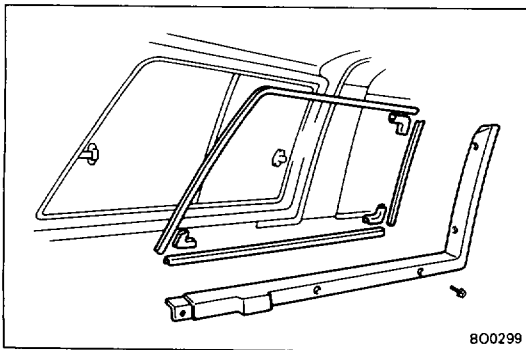


## SIDE SLIDE WINDOW COMPONENTS



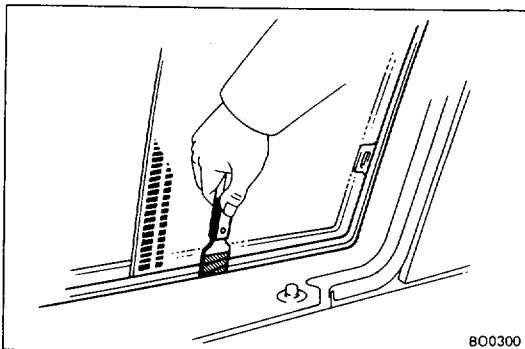
800298



800299

### REMOVAL OF SIDE SLIDE WINDOW

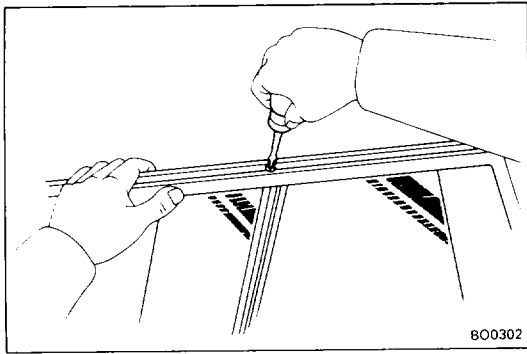
1. **REMOVE REAR BODY GARNISHES**
2. **REMOVE JOINT COVERS**  
Remove the three joint covers.
3. **REMOVE WINDOW TRIMS**  
Remove the three window trims.



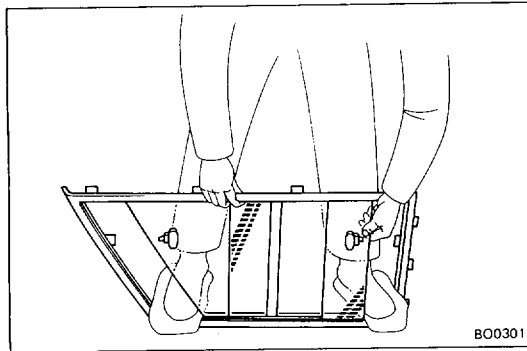
800300

4. **REMOVE SIDE SLIDE WINDOW ASSEMBLY**

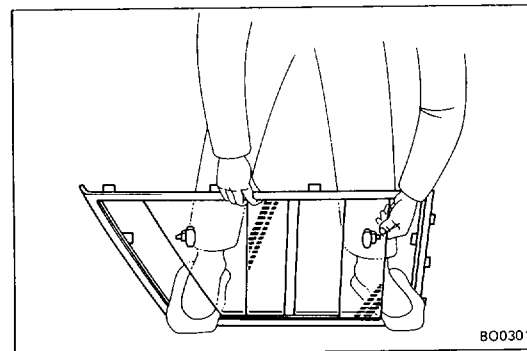
Cut the butyl tape with a scraper or such and then push the window assembly outward.



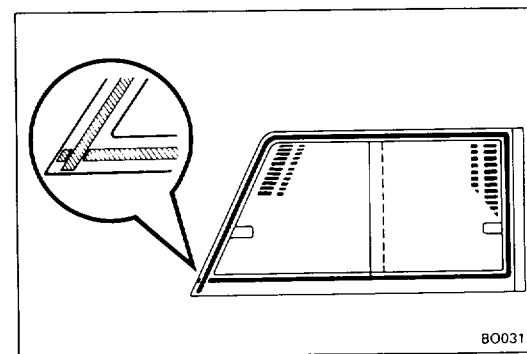
BO0302



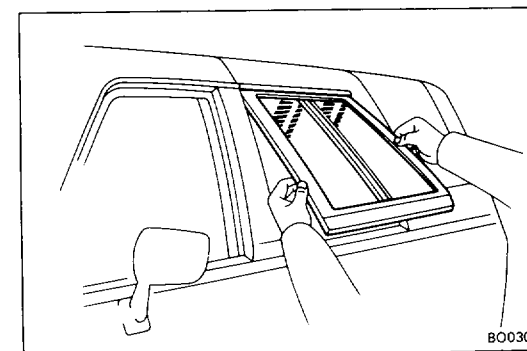
BO0301



BO0301



BO0317



BO0303

## 5. DISASSEMBLE SIDE SLIDE WINDOW

- (a) Remove the seven screws and window glass moulding.
- (b) Remove the two screws of the center frame.
- (c) Pull apart the channels and remove the front glass of the two slide glass panes at the center glass channel.
- (d) Remove the center frame.
- (e) Pull apart the channels and remove the rear glass of the two slide glass panes at the center glass channel.
- (f) Remove the weatherstrip.

## INSTALLATION OF SIDE SLIDE WINDOW

### 1. ASSEMBLE SIDE SLIDE WINDOW

- (a) Install the weatherstrip to the frame.
- (b) Pull apart the channels and install the rear glass of the two slide glass panes at the center glass channel.
- (c) Install the center frame.
- (d) Pull apart the channels and install the front glass of the two slide glass panes at the center glass channel.
- (e) Install the two screws of the center frame.
- (f) Install the window glass moulding and the seven screws.

### 2. APPLY BUTYL TAPE TO WINDOW FRAME

Apply butyl tape (6 mm or 0.24 in. width) to the slide window frame as shown in the figure.

NOTE: Firmly press down the overlapping portions of the tape so there are no open gaps.

### 3. INSTALL WINDOW ASSEMBLY

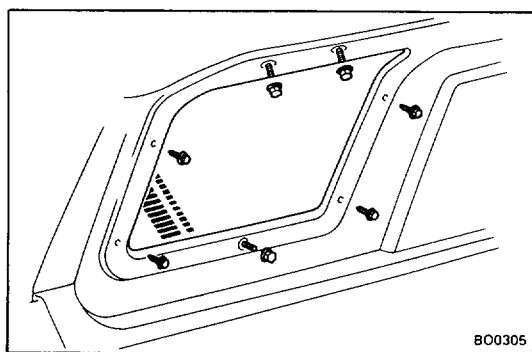
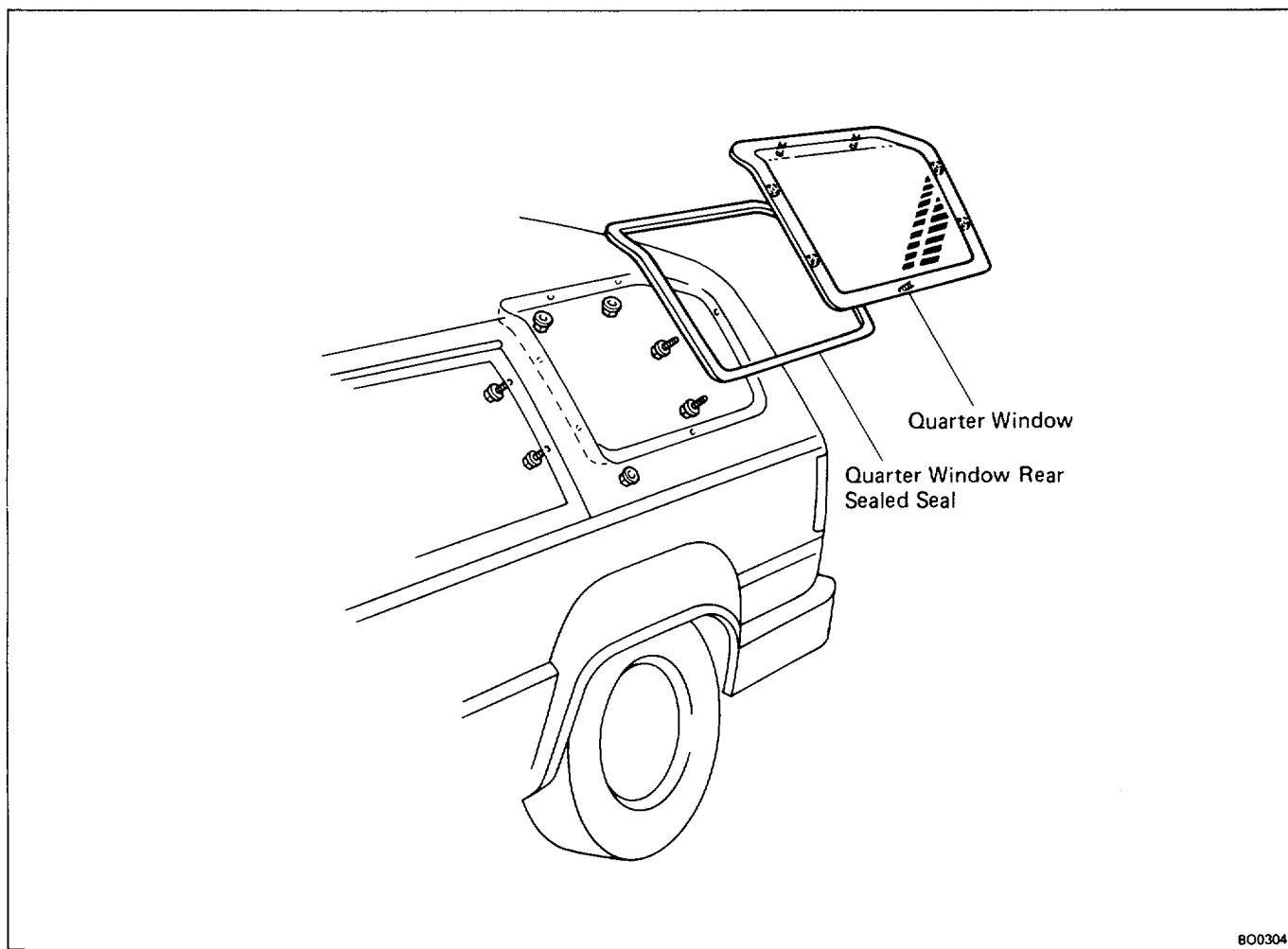
Install the side slide window assembly to the cover top.

### 4. INSTALL WINDOW TRIMS AND JOINT COVERS

Install the three window trims and joint covers.

### 5. INSTALL REAR BODY GARNISHES

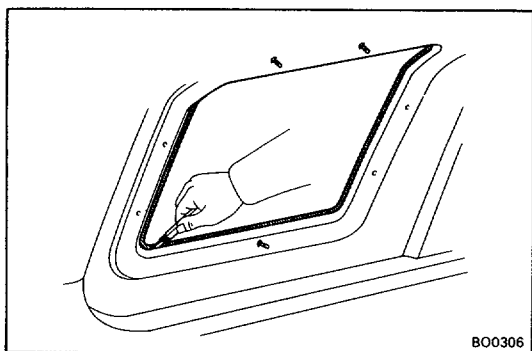
## QUARTER WINDOW (4 RUNNER) COMPONENTS



### REMOVAL OF QUARTER WINDOW

#### 1. REMOVE NUTS AND BOLTS

Remove the three nuts and four bolts.



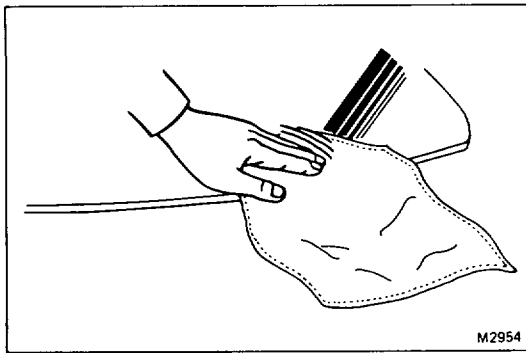
#### 2. REMOVE QUARTER WINDOW GLASS

Using a knife, cut off the window glass seal. Push out the lower edge of the glass, and then raise the glass to remove it.

## INSTALLATION OF QUARTER WINDOW

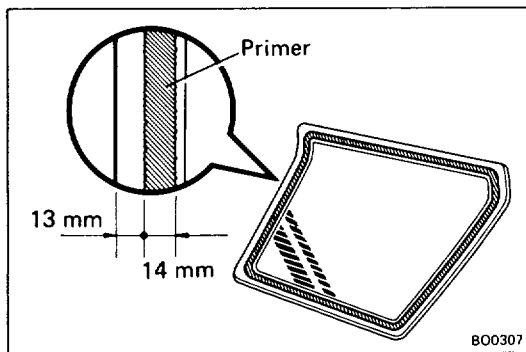
### 1. PREPARE ITEMS LISTED

Part name and Part No.	Contents of set
Butyl tape set (08850-00065)	Butyl tape 9 mm dia. x 2,500 mm (0.35 x 98.43 in.) Primer 5 cc (0.17 fl.oz.) Sponge (for applying primer) Piano wire 1 mm dia. x 600 mm (0.04 x 23.62 in.) (for cutting around glass)
Materials required	Cleaner (for cleaning adhering surfaces)
Quarter window rear sealed seal (68177-89101)	



### 2. CLEAN BODY OR GLASS

Using cleaner, wipe off any adhesive left on body or glass.

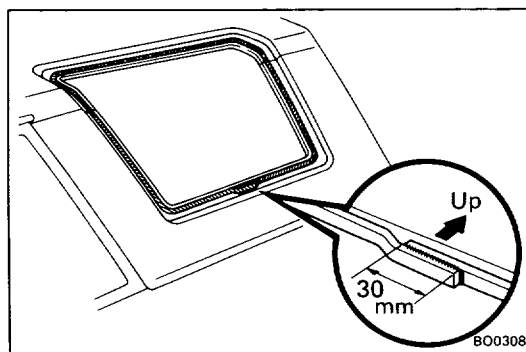


### 3. INSTALL QUARTER WINDOW GLASS

(a) Using a sponge, coat the glass adhering surface with primer.

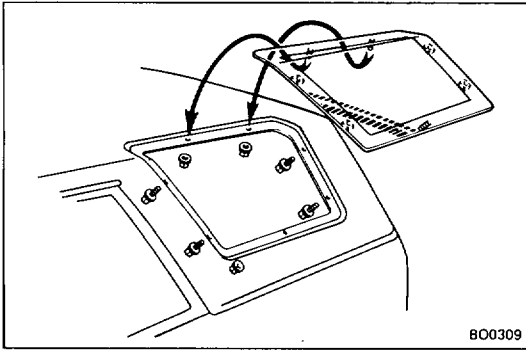
NOTE: Coat the primer 13 mm (0.51 in.) from the glass edge and 14 mm (0.55 in.) wide around the ceramic.

(b) Let the primer coating dry for 10 minutes.



(c) Install the seal to the cover top body.

NOTE: Apply the seal over 30 mm (1.18 in.) of the lower area.



- (d) Install the two upper stud bolts to the cover top body.
- (e) Install the lower stud bolt to the cover top body.
- (f) Torque the upper two nuts, and then the lower nut and four bolts.

**Torque: 40 kg-cm (35 in.-lb, 3.9 N·m)**