



# TOYOTA TECHNICAL SERVICE BULLETIN

REF.: DRIVELINE/  
DIFFERENTIAL  
NO.: DL94-001  
DATE: OCTOBER 14, 1994  
MODEL: 4X4 - TRUCK,  
4RUNNER, T100

## 4X4 FRONT AXLE BEARING REPLACEMENT

Page 1 of 2

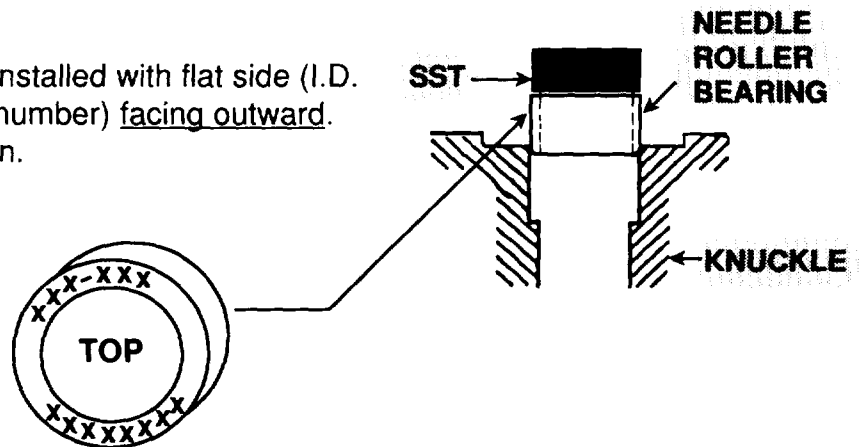
To reduce front spindle bushing noise which may be experienced during severe cold ambient temperatures, a new needle roller bearing and thrust bushing have been made available for use in place of the original bushing.

**Note:** This repair is applicable only to 4X4 vehicles produced after 8/89.

### INSTALLATION PROCEDURE:

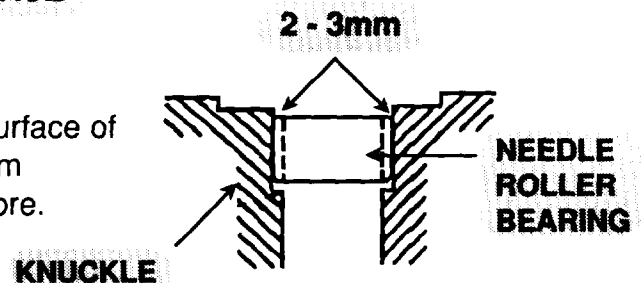
1. Remove front axle bushings (refer to applicable service manual section).
2. Install needle roller bearing using **SST #09620-30010, tool #5** or equivalent bearing driver.

**Reference:** Bearing must be installed with flat side (I.D. number and part number) facing outward. Refer to illustration.



### FLAT BEARING SURFACE

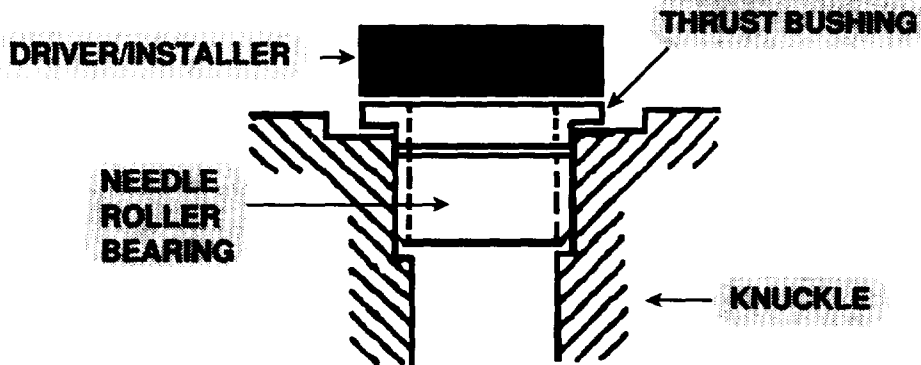
**Reference:** Tap bearing into position until top surface of the bearing is approximately 2-3 mm inside/below the steering knuckle bore.



Index # **040161**

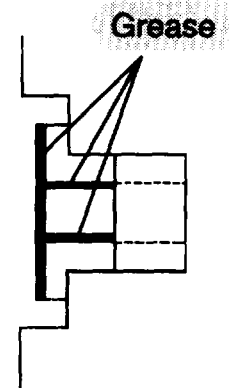
TOYOTA MOTOR SALES U.S.A., INC.

3. Install thrust bushing using appropriate bushing driver/installer.



4. Apply grease **P/N 08887-80219** in the following locations:

- Thrust bushing inner bore and frontal surface.
- Oil seal.
- Drive shaft where contact will be made.



**Note:**

One tube of grease is sufficient for both left and right side axles.

5. Reassemble the knuckle and driveshaft assembly. Use care when installing shaft to prevent damage to needle roller bearing.

**PART NUMBER INFORMATION:**

| Previous Part No. | New Part No. | Part Name              | Qty Per Vehicle |
|-------------------|--------------|------------------------|-----------------|
| N/A               | 90364-30011  | Bearing, Needle Roller | 2               |
| 90999-70069       | 90381-32001  | Bushing, thrust Inner  | 2               |
| N/A               | 08887-80219  | Toyota Chassis Grease  | 1               |