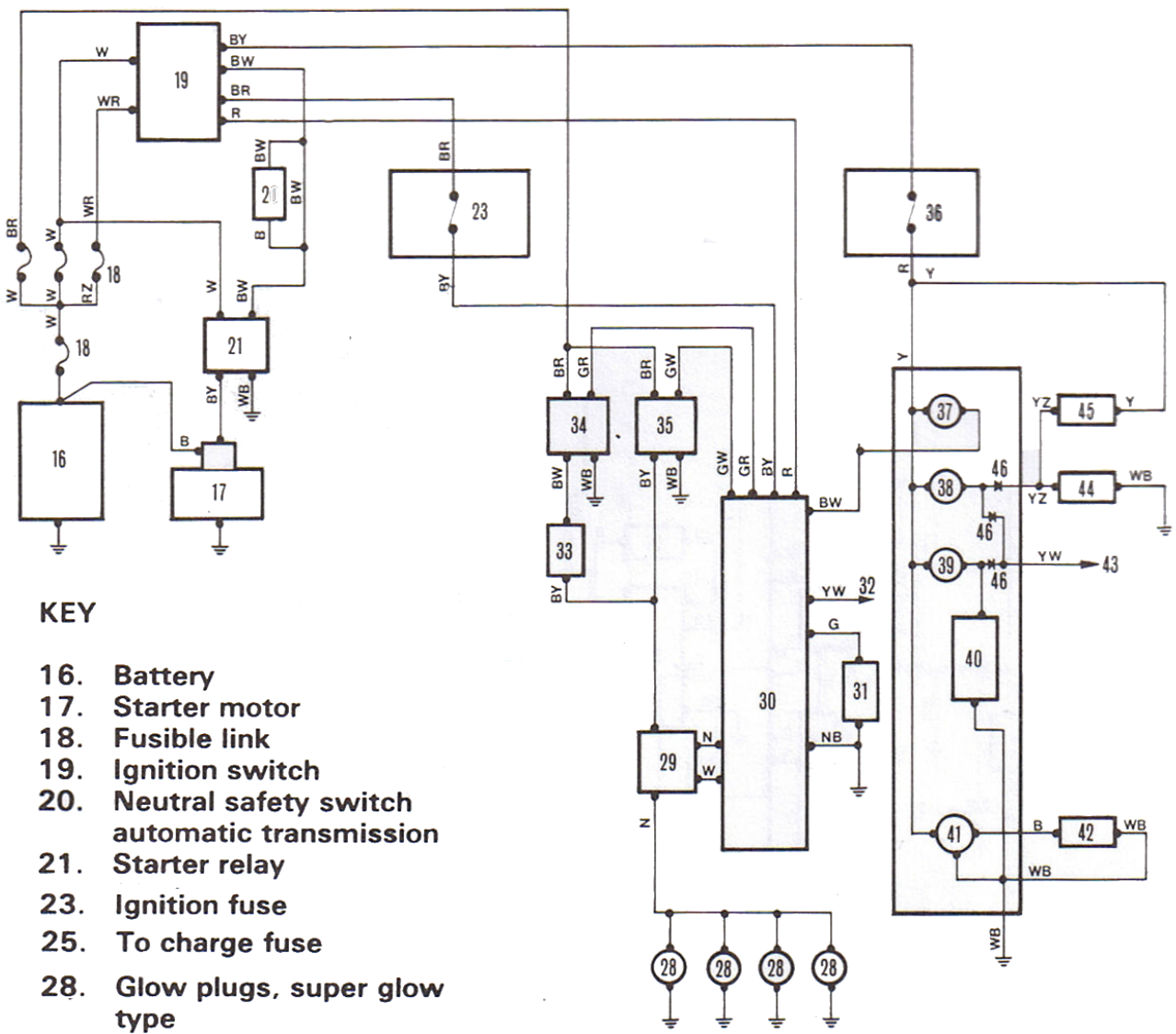


# Wiring diagram for LN61 2.4 ltr starting and super glow pre-heat



## KEY

- 16. Battery
- 17. Starter motor
- 18. Fusible link
- 19. Ignition switch
- 20. Neutral safety switch automatic transmission
- 21. Starter relay
- 23. Ignition fuse
- 25. To charge fuse
- 28. Glow plugs, super glow type
- 29. Glow plug current sensor, super glow type.
- 30. Preheating timer, super glow type
- 31. Water thermo sensor, super glow type
- 32. To charge fuse
- 33. Glow plug resistor. Super glow type
- 34. Afterglow glow plug relay, super glow type
- 35. Glow plug relay, super glow type
- 36. Engine fuse
- 37. Glow plug warning lamp
- 38. Fuel filter warning lamp
- 39. Timing belt warning lamp
- 40. Timing belt warning control switch
- 41. Tachometer
- 42. Tachometer pick up sensor
- 43. To charge fuse
- 44. Fuel filter warning control switch
- 45. Fuel filter warning buzzer
- 46. Diode

## COLOUR CODE

The first letter of the code represents the main wire colour, the other letters represent the trace colours.

- B — BLACK
- L — BLUE
- G — GREEN
- R — RED
- Y — YELLOW
- W — WHITE
- N — BROWN
- O — ORANGE
- K — PINK
- S — GREY
- V — VIOLET
- P — PURPLE
- X — LIGHT GREEN
- Z — LIGHT BLUE
- M — DARK GREEN
- T — DARK BLUE
- A — LIGHT BROWN
- E — SLATE
- D — TAN